



KABA®

Product facts PSS Public Systems & Solutions

Solutions for the organized entry and exit of visitors
in public and private leisure facilities.

Tripod barriers

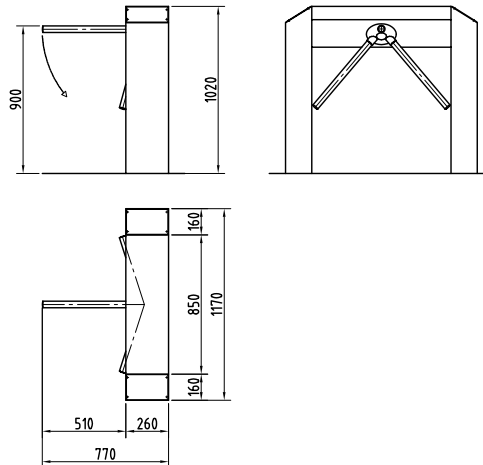
Basic equipment

TPB-E01



Construction	description	housing and base columns mounted as a single unit (open construction)
	housing material	stainless steel AISI 304
	material base columns and base plate	stainless steel AISI 304
	crossbar material	types 0, 1.1 and 1.2 aluminium, type 2 stainless steel AISI 304
Finish		stainless steel satin finish
Function		type 0 * type 1.1 ** type 1.2 *** type 2 ****
Electrical components		control system integrated in the unit power supply 110-230 VAC, 50/60 Hz standby power consumption 10 VA
Installation		dowelled on finished floor level FFL suitable for outdoor installation (glossy finish recommended)
Protection class		housing IP 33, components conducting supply voltage IP 43

- * type 0 manual motion; mechanically free in one direction/ opposite direction blocked
- ** type 1.1 manual motion; 1 direction electrically controlled/ opposite direction blocked (both directions electroless closed)
- *** type 1.2 manual motion; electrically controlled in both directions (both directions electroless closed)
- **** type 2 power assisted motion; servo-positioning drive/ electrically controlled in both directions



TPB-L04



Option



housing for attachment on customer's device

signal display red/green, rectangular version,
flush mounted in the housing

plastic

-

aluminium

grey plastic RAL 7016

type 0 *

type 1.1 **

type 1.2 ***

control system integrated in the unit, power supply provided by customer

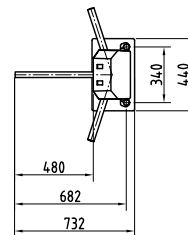
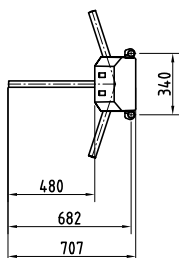
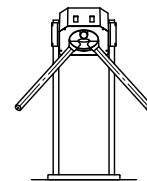
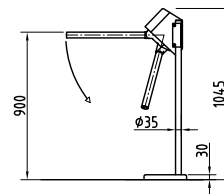
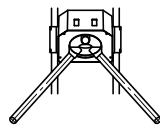
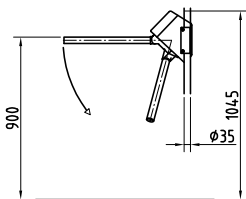
power supply 24 VDC

standby power consumption 10 VA

clamp attachment Ø approx. 35 mm on customer's device

not suitable for outdoor installation!

*TBL-04 with optional
"stainless steel base columns"*



Tripod barriers

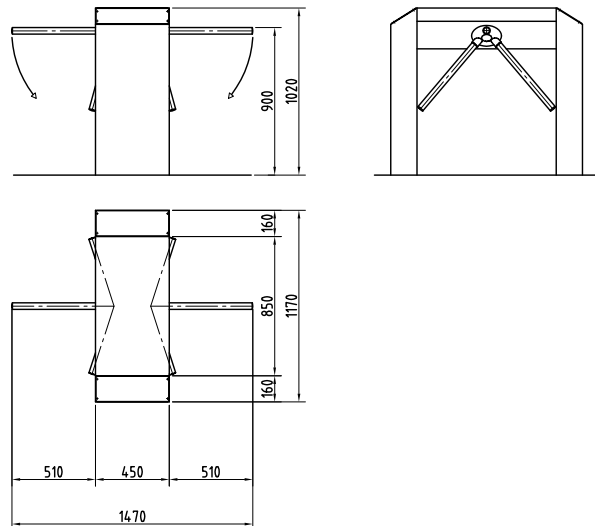
Basic equipment

TPB-L06



Construction	description	housing and base columns mounted as a single unit (open construction)
		double unit based on TPB-E01 particularly space-saving
	housing material	stainless steel AISI 304
	material base columns	stainless steel AISI 304
	crossbar material	types 0, 1.1 and 1.2 aluminium, type 2 stainless steel AISI 304
Finish		stainless steel satin finish
Function		type 0 * type 1.1 ** type 1.2 *** type 2 ****
Electrical components		control system integrated in the unit power supply 110-230 VAC, 50/60 Hz standby power consumption 20 VA
Installation		dowelled on finished floor level FFL suitable for outdoor installation (glossy finish recommended)
Protection class		housing IP 33, components conducting supply voltage IP 43

- * type 0 manual motion; mechanically free in one direction/ opposite direction blocked
- ** type 1.1 manual motion; 1 direction electrically controlled/ opposite direction blocked (both directions electroless closed)
- *** type 1.2 manual motion; electrically controlled in both directions (both directions electroless closed)
- **** type 2 power assisted motion; servo-positioning drive/ electrically controlled in both directions



TPB-M01



housing and base columns mounted as a single unit
(open construction)

exit control station equipped with integrated display
and key collector

stainless steel AISI 304

stainless steel AISI 304

stainless steel AISI 304

stainless steel satin finish

housing without motor assembly and rotating device, with control unit for Kaba products

housing without motor assembly and rotating device, with control unit for other
manufacturers

type 2 ****

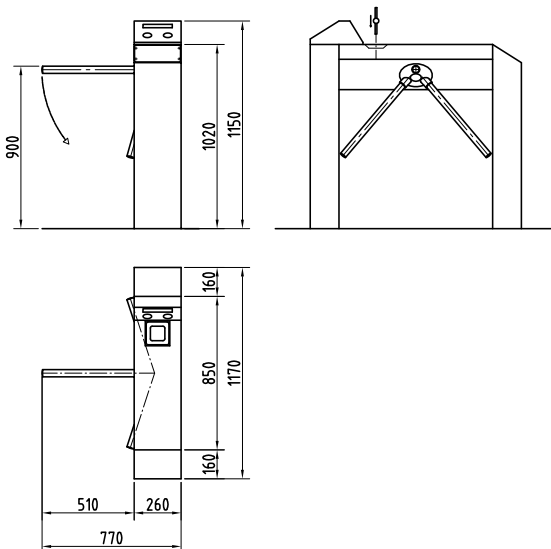
control system integrated in the unit

power supply 110-230 VAC, 50/60 Hz

standby power consumption 10 VA

dowelled on finished floor level FFL

not suitable for outdoor installation!



TPB-M03



housing and base columns mounted as a single unit
(open construction)

modular use applicable in the housing unit: coin-acceptor, coin
collector, receipt printer, display, signal device, RFID draw-in reader

stainless steel AISI 304

stainless steel AISI 304

stainless steel AISI 304

stainless steel satin finish

type 2 ****

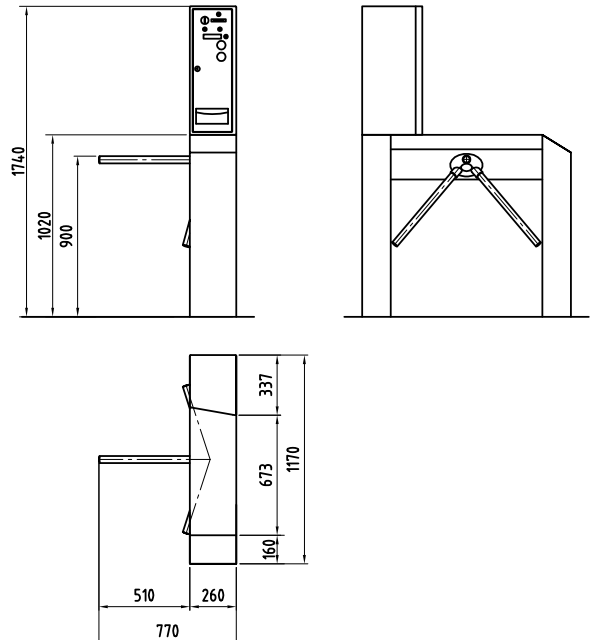
control system integrated in the unit

power supply 110-230 VAC, 50/60 Hz

standby power consumption 10 VA

dowelled on finished floor level FFL

not suitable for outdoor installation!



Half-height turnstiles

Basic equipment

HTS-L01

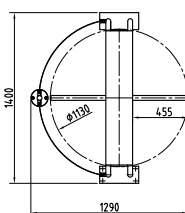
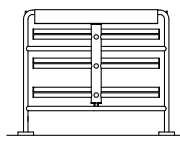
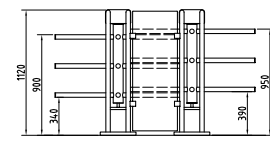
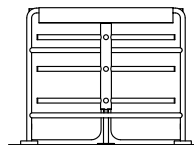
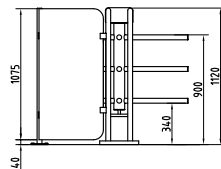


HTS-L02

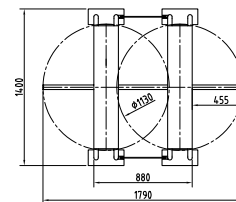


Construction	description	HTS-L01	HTS-L02
material frame		curved stainless steel tube AISI 304 Ø 40 mm	curved stainless steel tube AISI 304 Ø 40 mm
material housing and enclosure		curved stainless steel plate AISI 304 3 mm	stainless steel plate AISI 304 3 mm with two vertical connecting elements made of 10 mm toughened glass
rotating unit		90°, with tubular column made of stainless steel AISI 304 Ø 89 mm	2 pieces, 90°, with tubular column made of stainless steel AISI 304 Ø 89 mm
crossbars		each door wing with 3 straight crossbars made of stainless steel AISI 304 Ø 40 mm	each door wing with 3 straight crossbars made of stainless steel AISI 304 Ø 40 mm
barrier element		made of stainless steel plate AISI 304 with poles	-
		electric interlock system and drive integrated in upper housing	electric interlock system and drive integrated in upper housing
Finish		stainless steel satin finish	stainless steel satin finish
Function		type 2 ****	type 2 ****
Electrical components		control system integrated in the housing power supply 110-230 VAC, 50/60 Hz standby power consumption 15 VA	control system integrated in the housing power supply 110-230 VAC, 50/60 Hz standby power consumption 30 VA
		selectable options in case of power failure, default setting: free passage	selectable characteristics in case of power failure, default setting: free passage
Installation		dowelled on finished floor level FFL suitable for outdoor installation (glossy finish recommended)	dowelled on finished floor level FFL suitable for outdoor installation (glossy finish recommended)
Protection class		housing IP 43, components conducting supply voltage IP 54	housing IP 43, components conducting supply voltage IP 54

**** type 2 power assisted motion; servo-positioning drive/electrically controlled in both directions



3 rows of bars



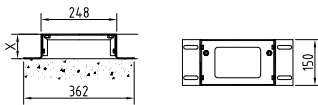
3 rows of bars

All dimensions in mm

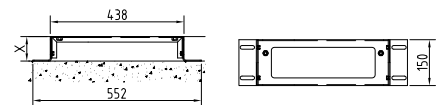
Options for TPB tripod barriers, depending on unit type and motor assembly

	TPB-E01	TPB-L04	TPB-L06	TPB-M01	TPB-M03
Construction					
• housing in stainless steel AISI 316	•				
• base columns stainless steel		•			
• base columns with plane top	•		•		
• rounded instead of angular base columns	•				
Finish					
• glossy, stainless steel AISI 304 electrolytical polished	•		•	•	•
Function					
• random generator	•				
• counter	•	•	•	•	•
• rescue and emergency modules equipped with emergency push-button, optional additional emergency push-buttons	•	•	•	•	•
• collapsable bars with types 1.1, 1.2 and 2. Bars reset automatically with units of type 2	•	•	•	•	•
Electrical components					
• installation preparation on flat surface	•		•	•	•
• manual mount reader for barcode tickets	•		•		
• coin-acceptor units and coins	•		•		
• motorised draw-in reader for barcode tickets or RFID cards	•		•		
• push-button on flat surface	•		•		
• operating panels and frames or housings for surface installation	•	•	•	•	•
• miscellaneous signal devices	•		•		
• protection against crawling underneath or passing over the unit	•				
• end wiring distributor (connection of max. four OPLs possible) and power supply plug to supply external nodes	•		•	•	•
Installation					
• palette with stainless steel ramp and rubber covering	•		•	•	•
• on subconstruction X = 80 - 160 mm for structural floor level	•		•	•	•
Installation alternatives					

subconstruction
TPB-E01/M01/M03



subconstruction
TPB-L06



Options for HTS half-height turnstiles

	HTS-L01	HTS-L02
Construction		
• stainless steel AISI 316	•	•
• barrier and guiding element raised to 1380 mm	•	•
Finish		
• glossy, stainless steel AISI 304 electrolytical polished	•	•
Electrical components		
• installation prepared for mounting plate	•	•
• consoles with adaptor made of plastic or aluminium (also available in stainless steel at additional cost)	•	•
• manual mount reader for barcode tickets	•	•
• coin-acceptor units and coins	•	•
• motorised draw-in reader for barcode tickets or RFID cards	•	•
• push-button in tubular stainless steel console for manual single release	•	•
• operating panels with frames or housings for surface installation	•	•
• additional I/O boards to expand the existing in- and outputs plus end wiring distributor (connection of max. four OPLs possible)	•	•

All dimensions in mm

Half-height Swing Doors HSD

Basic equipment

HSD-L01

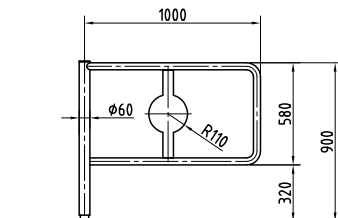
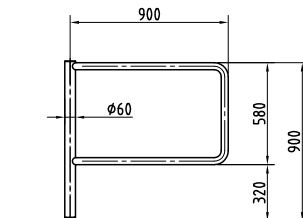


HSD-L03



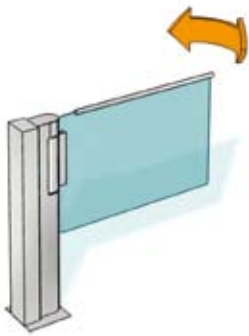
Construction	tubular column	stainless steel AISI 304, Ø 60	stainless steel tube AISI 304, Ø 60 mm with emergency escape function
	crossbar	curved, tubular stainless steel AISI 304, Ø 40	curved, tubular stainless steel AISI 304, Ø 40 with plate panel marking the escape route
	door wing radius	900	1000
	top edge of door wing	900	900
Finish		stainless steel satin finish	stainless steel satin finish
Function		type O *	type O *
		both in entry and exit direction 90° opening, mechanically lockable in 3 positions	mechanically free in two directions, both in entry and exit direction 90° opening. An acoustic signal sounds if the swing door is opened. Manual movement from the zero position applying a force of 100 Nm
Electrical components		-	-
		-	-
Installation		dowelled on finished floor level FFL not suitable for outdoor installation!	dowelled on finished floor level FFL not suitable for outdoor installation!

- * Type 0 manual motion
- **** Type 2 power assisted motion; servo-positioning drive/ electrically controlled in both directions



all dimensions in mm

HSD-L06



half column (W = 130 mm / D = 90 mm) as housing for the drive made of stainless steel AISI 304

transparent polycarbonat door wings and horizontal aluminium handle bar varnished in RAL 9006

900

900

stainless steel satin finish

type 2 ****

both in entry and exit direction 90° opening

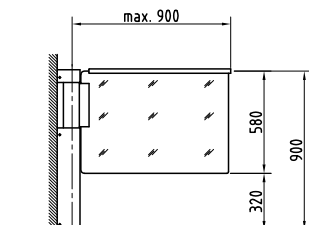
control unit and power supply integrated in the housing

power supply 110-230 VAC, 50/60 Hz

standby power consumption 10 VA

wall mounting/dowelled

not suitable for outdoor installation!



HSD-L07



stainless steel AISI 304, Ø 140

curved, tubular stainless steel AISI 304, Ø 40

900

900

stainless steel satin finish

type 0 *

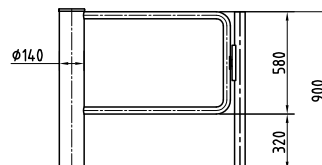
mechanically free single direction / opposite direction blocked, offers 90° opening in one direction, lockable with an electrical door opener (in stainless steel pole Ø 60 mm), including door closer and protection against levering out the door latch

on-site power supply for electric door opener 24 VDC, controlled on-site

-

dowelled on finished floor level FFL

not suitable for outdoor installation!



Options for Half-height Swing Doors HSD

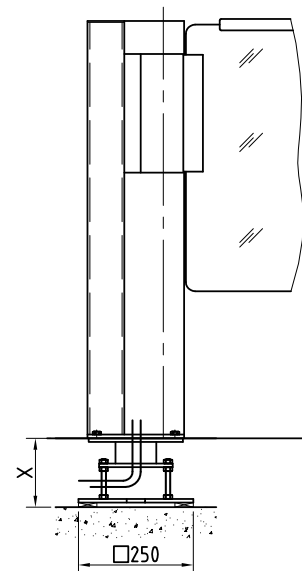
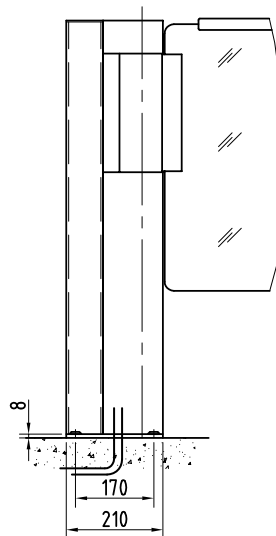
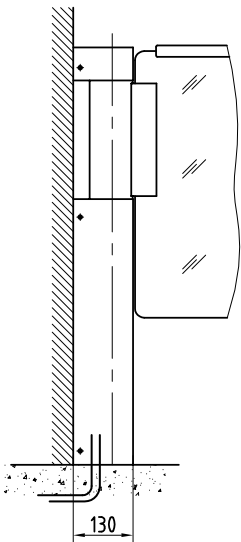
	HSD-L01	HSD-L03	HSD-L06	HSD-L07
Construction				
• passage width 1000 mm	•	•		•
• filling of door wing in toughened glass (top and bottom sealed)	•			•
• special door width: min. 650 mm, max. 1200 mm	•	•	•	•
• special height: extension of door wing to top edge of 1200 mm	•			•
Finish				
• glossy: stainless steel AISI 304 electrolytical polished (recommended for outside installation)	•	•		•
Function				
• master slave plus additional chip for linkage of 2 units as double swing door			•	
• emergency and rescue module			•	
• additional emergency push-button including symbol, for connection to emergency and rescue module			•	
Electrical components				
• power supply plug 24VDC/1A to supply external nodes			•	
• push-button for manual single release			•	•
• operating panel with frame or housing for surface installation			•	
Installation				
• trapezoid plate with variable substructure, measue X = 80 - 180 mm	•	•	•	•
• cast-in floor element	•	•		•

Installation variations for swing door HSD-L06

wall mounting

on finished floor level FFL

on structural floor level SFL

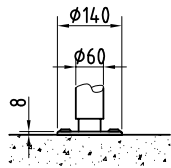
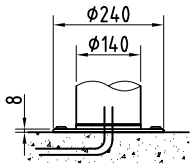


all dimensions in mm

Installation variations for half-height swing doors HSD

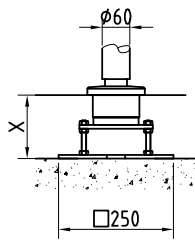
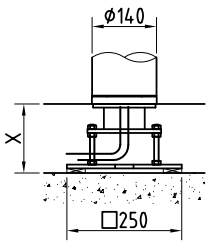
finished floor level FFL
for instance HSD-L07

for instance HSD-L01 and L03



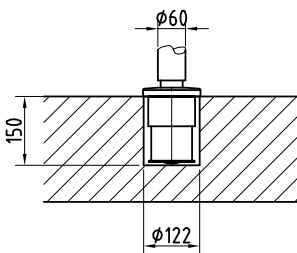
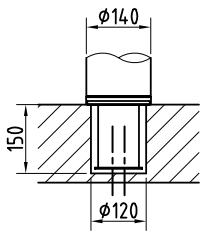
structural floor level SFL
for instance HSD-L07

for instance HSD-L01 and L03



cast-in
for instance HSD-L07

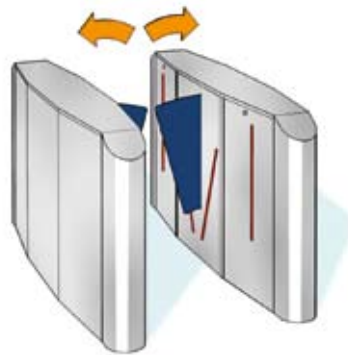
for instance HSD-L01 and L03



Sensor Gates HSG

Basic equipment

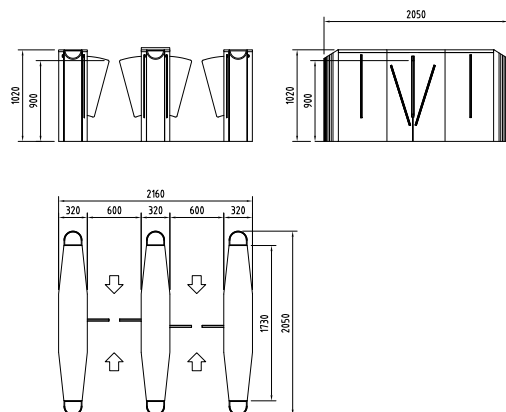
HSG-L01



to be ordered as of
01/01/2009

Construction	passage width	600
	total width	1240
	interlock height	1020
	top edge barrier elements	900
	interlock length	2050
	housing and base columns	stainless steel AISI 304
	material barrier elements	polyurethane foam
Finish		stainless steel satin finish
Function		type 2 ****
		curved, motor-driven motion of both door wings into the housing
		increased level of monitoring of single passage in both directions
		movement area of barrier elements are monitored by a light curtain
Electric		basic position open or closed selectable
		control unit and power supply integrated in the unit
		power supply 110-230 VAC, 50/60 Hz
Installation		standard adjustment in case of power failure: barrier elements open, powered by batteries
		dowelled on finished floor level FFL
		not suitable for outdoor installation!

**** Type 2 power assisted motion;
servo-positioning drive/
electrically controlled in
both directions



all dimensions in mm

Options to HSG-L01

Construction

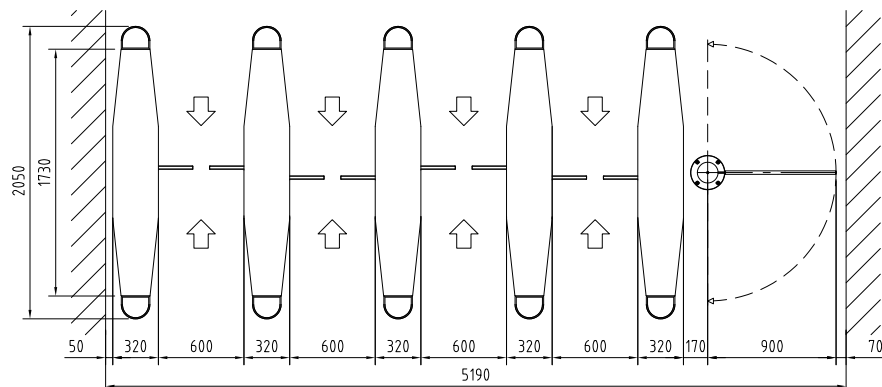
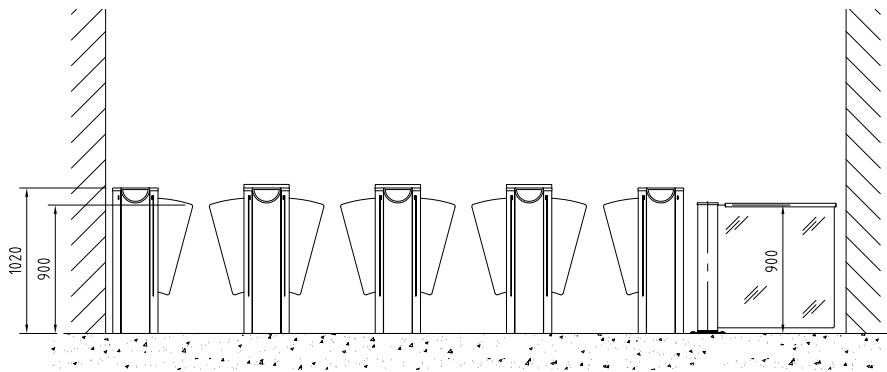
- cover plate made of wood, affixed on top of the housing
- angular base columns for special mounted card reader

Electrical components

- installation preparation for on-site components on flat surface
- plastic cover plate instead of stainless steel
- installation pre-configuration for LEGIC-antennas
- push-button on flat surface for manual single passage
- operating panel with frame our housing for surface installation
- additional I/O boards to expand the existing in- and outputs
- miscellaneous signal devices
- protection against passing over the unit

Installation

- palette with stainless steel ramp and non-slip rubber covering, height approx. 32 mm
- with adjustable mounting plate X = 80 - 180 mm for structural floor level SFL



Full-height turnstiles

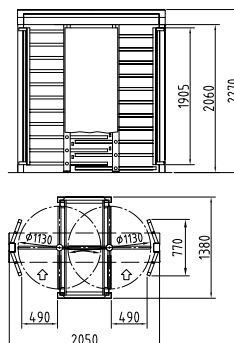
Basic equipment

FTS-L01



Construction	portal width	2050
	total height	2270
	total height with optional roof D1	2390
	total height with optional roof D2	-
	total height with optional roof D3	-
	passage height	2060
	passage width	490
	portal and housing	steel
	lockable maintenance opening	aluminium
	rotating unit with tubular column Ø 89 mm	90°, each door wing with 11 crossbars made of stainless steel AISI 304 Ø 40 mm with black plastic covering caps
	barrier element	made of steel in the centerpiece, encased with stainless steel satin finish
	entry/exit enclosure	with stainless steel bars
	special feature	double unit, particularly space-efficient thanks to the intermeshing rotating units
Finish	rotating unit in stainless steel glossy, steel elements hot-dip galvanized, aluminium elements in RAL 9006	
Function	type 0 * type 1.1 ** type 1.1 *** type 1.2 **** type 2 *****	
Electrical components	control system integrated in the unit power supply 110-230 VAC, 50/60 Hz	
Installation	on finished floor level FFL	
Protection class	housing IP 33, components conducting supply voltage IP 43	

- * type 0 manual motion; mechanically free in one direction/
opposite direction blocked
- ** type 1.1 with power supply and micro-switch, bolt control unit
provided by customer, optionally with relay
- *** type 1.1 manual motion; 1 direction electrically controlled/
opposite direction blocked
- **** type 1.2 manual motion; electrically controlled in both directions
- ***** type 2 power assisted motion; servo-positioning drive/
electrically controlled in both directions



FTS-L02



2080

2260

-

-

-

2060

490

steel frame with aluminium cover plate

-

90°, each door wing with 6 straight crossbars made of stainless steel AISI 304 Ø 40 mm with black plastic covering caps made of steel in the centerpiece, encased with stainless steel satin finish

inside with curved steel bars, outside with pivoting motorised lockable shutters as guiding elements in stainless steel AISI 304, satin finish

double unit, particularly space-efficient thanks to the meshing of turnstile columns. Lockable shutters protect the devices and the rotating unit against vandalism

rotating unit in stainless steel glossy, steel elements hot-dip galvanized, aluminium elements in RAL 9006

type 0 *

type 1.1 **

type 1.1 ***

type 1.2 ****

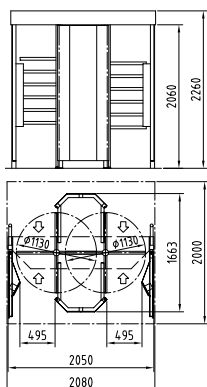
type 2 *****

control system integrated in the unit

power supply 230 VAC, 50 Hz

on finished floor level FFL

housing IP 33, components conducting supply voltage IP 43



FTS-L03



3040

2270

-

-

-

2060

approx. 1395

steel

aluminium

120°, each door wing with 10 straight crossbars made of steel Ø 60 mm (galvanized and lacquered) with black plastic covering caps with 9 straight steel crossbars Ø 60 mm

with steel bars

protection against climbing over the unit in passage direction

steel elements hot-dip galvanized, aluminium elements in RAL 9006

type 0 *

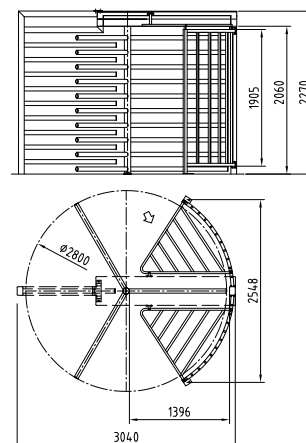
reinforced construction with electronic speed regulation

control system integrated in the unit

-

in sleeve foundation measurement X = 150 mm

housing IP 33



Full-height turnstiles

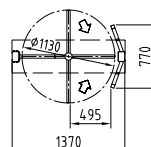
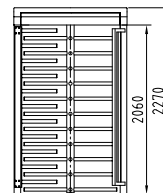
Basic equipment

FTS-LO4



Construction	width	1370
	total height	2270
	total height with optional roof D1	2390
	total height with optional roof D2	2420
	total height with optional roof D3	2420
	passage height	2060
	passage width	490
	portal and housing	steel
	lockable maintenance opening	aluminium
	rotating unit with tubular column Ø 89 mm	90°, each door wing with 11 straight crossbars made of stainless steel AISI 304 Ø 40 mm with black plastic covering caps
	barrier element	with 11 straight steel crossbars Ø 40 mm
	entry/exit enclosure	with steel bars
	additional function	-
Finish	rotating unit in stainless steel glossy, steel elements hot-dip galvanized, aluminium elements in RAL 9006	
Function	type 0 * type 1.1 ** type 1.1 *** type 1.2 **** type 2 *****	
Electrical components	control system integrated in the unit	
	power supply 110-230 VAC, 50/60 Hz	
	standby power consumption 20 VA	
Installation	in sleeve foundation measurement X = 150 mm	
Protection class	housing IP 33, components conducting supply voltage IP 43	

- * type 0 manual motion; mechanically free in one direction/ opposite direction blocked
- ** type 1.1 with power supply and micro-switch, bolt control unit provided by customer, optionally with relay
- *** type 1.1 manual motion; 1 direction electrically controlled/ opposite direction blocked
- **** type 1.2 manual motion; electrically controlled in both directions
- ***** type 2 power assisted motion; servo-positioning drive/ electrically controlled in both directions



Optional roofs for FTS turnstiles

	FTS-L01	FTS-L02	FTS-L03	FTS-L04
Roof D1 - depth 1500 or 2270 (total height 130 mm)				
width				
1650			•	
2720	•			
Roof D2 and Roof D3 - depth 2820, 3740 (each with roof edge 200) or 4650 (roof edge 400)				
width				
1830				•

Roofing for weather protection and invalid entry prevention

Roof D1

Steel sub-construction hot-dip galvanized, trapezoidal cover plate in RAL 9002 (optional RAL powder coated).
For multiple units we deliver one oversized roof.
For four units or more a central water drainage is required.
The distance between units is 50 mm.

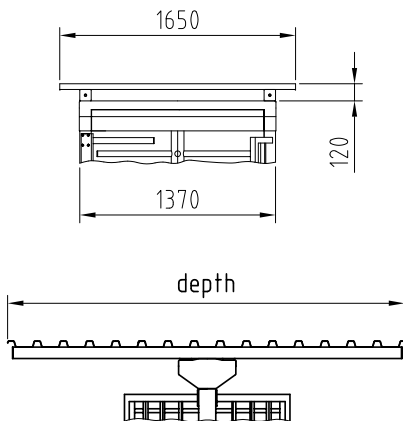
Roof D2

Steel sub-construction hot-dip galvanized, trapezoidal cover plate in RAL 9002 (optional RAL powder coated).
With roof edge silver anodized and water drainage in PVC grey.
From depth 3740 on, the unit has to be installed in sleeve foundation and be equipped with reinforced posts.
For multiple units we deliver one oversized roof.
The distance between units is 50 mm.
The fascia is continuous. Its length is max. 6,4 m.

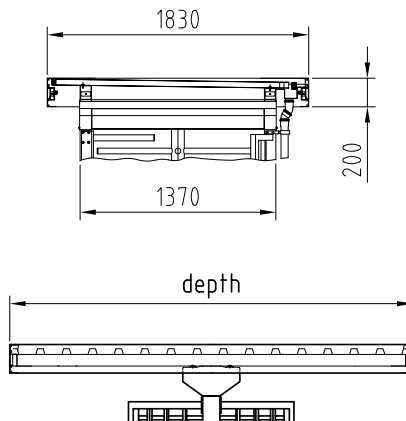
Roof D3

Steel sub-construction hot-dip galvanized, trapezoidal cover plate in RAL 9002 (optional RAL powder coated).
With roof edge silver anodized and water drainage in PVC grey.
Roof underneath aluminium panelling in lotus white.
From depth 3740 on, the unit has to be installed in sleeve foundation and be equipped with reinforced posts.
For multiple units we deliver one oversized roof.
The distance between units is 50 mm.
The fascia is continuous. Its length is max. 6,4 m.

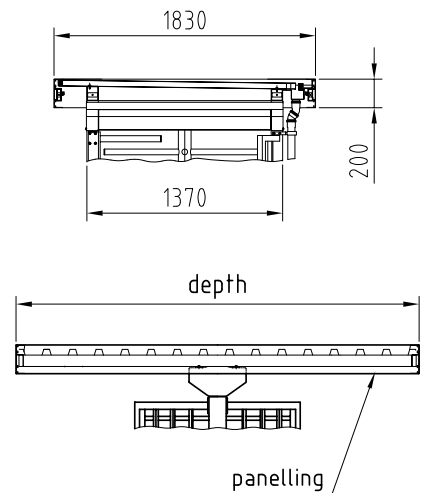
Roof D1 - with trapezoidal cover plate



Roof D2 - with trapezoidal cover plate, roof edge profile and water drainage



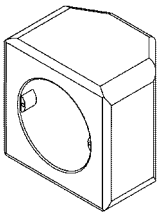
Roof D3 - with trapezoidal cover plate, roof edge profile, panelling and water drainage



Options for FTS turnstiles, depending on unit type and motor assembly

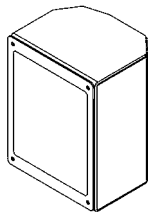
	FTS-L01	FTS-L02	FTS-L03	FTS-L04
Construction				
• rectangular barrier element in RAL or AISI 304				•
• roofs D1, D2, and D3. Versions depending on unit type: steel subconstruction and aluminium roof edge 200 or 400 and hot-dip galvanized trapezoidal plate, complete RAL powder coating. The water drainage can be in stainless steel or powder coated in a RAL colour instead of grey.	•			•
• entry restriction possible with additional brackets on the bars	•	•		•
• rotating unit 120° instead of 90°	•	•		•
• rotating unit in stainless steel AISI 316 or stainless steel AISI 304 additional RAL powder coating	•	•	•	•
• each direction unlockable by turning lever with profile half cylinder, installed in maintenance opening	•	•		•
• mechanical lock in stainless steel to mount on crossbar of turnstile column, incl. locking plate	•		•	•
Finish				
• portal, housing, enclosure and turnstile all fully in stainless steel AISI 304, glossy finish	•	•	•	•
• steel and aluminium parts: additional RAL powder coating	•	•	•	•
Function				
• counter	•	•	•	•
• random generator with or without horn	•	•		•
Electrical components				
• power supply outlet to supply external nodes, 24 VDC / 1A	•	•		•
• uninterrupted power supply, approx. 70 min for 100% load installed in separate room				•
• installation preparation on plane surface as rectangular cut-out for components provided by customer	•	•		•
• different consoles in plastic or aluminium in colour of unit or in RAL 9006/front panels of aluminium consoles available in plastic or stainless steel	•			•
• coin-acceptor and coins	•	•		•
• push-button for manual single release, integrated in plane surface and thus protected against vandalism	•	•		•
• electro key switch for single or permanent release	•	•		•
• relay for type 1.1	•	•		•
• operating panels with frame or housing for surface installation	•	•		•
• additional boards to expand the existing in-/outputs for motor assembly type 2	•	•		•
• miscellaneous signal devices	•	•		•
• end wiring distributor to connect a maximum of four OPLs	•	•		•
• various lightings and twilight switch				•
• sensor for presence identification				•
Installation				
• installation on finished floor level, measurement X = 0			•	•
• installation on structural floor level, measurement X = 150	•	•	•	•
• installation on structural floor level with special measurement X < 200 mm (possible roof installation to the depth of 2820 mm)	•	•	•	•
• installation in sleeve foundation, measurement X = 150	•			

Console 1
plastic in colour
of unit or in
RAL 9006



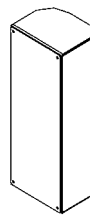
width 94 mm
height 94 mm
depth 65 mm

Console 2
aluminium in colour
of unit or in
RAL 9006
front panels in PVC
grey or aluminium
RAL 9006



width 140 mm
height 180 mm
depth 110 mm

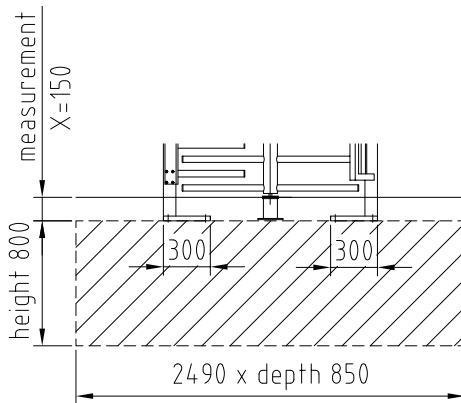
Console 3
aluminium in colour
of unit or in
RAL 9006
front panels in PVC
grey or aluminium
RAL 9006



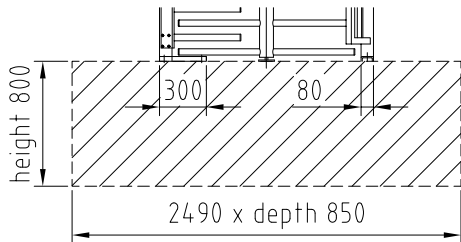
width 140 mm
height 365 mm
depth 110 mm

Installation alternatives, for instance FTS-L04

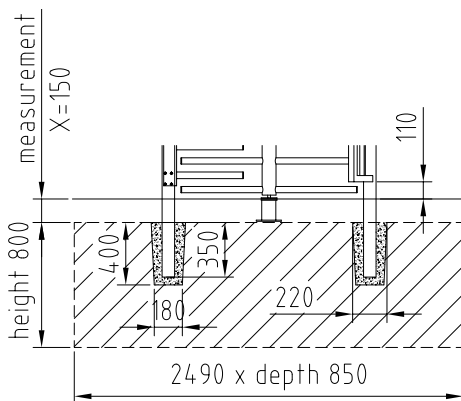
structural floor



finished floor



sleeve foundation



The logo for KABA, featuring the word "KABA" in a bold, stylized, sans-serif font. The letters are white with a dark outline, and a registered trademark symbol (®) is positioned to the upper right of the letter "A".

KABA®

Kaba Gallenschütz GmbH
Nikolaus-Otto-Strasse 1
77815 Bühl
Germany
Tel. +49 (0) 7223/286-0
Fax +49 (0) 7223/286-111
info@kgb.kaba.com

www.kaba-gallenschuetz.de